



Project	Catalog #
Distributor	Type
Prepared by	Date



# IGNITE

## High Bay Series

### T1-IHBLD

With its modern and sleek design, the **Ignite Series** features a slim and lightweight profile that will improve the aesthetics of any industrial, commercial or high ceiling retail facility. Frosted PMMA lenses, multiple lumen packages, color temperatures and design make these modern energy efficient LED high bays perfect for any high bay application.

#### SPECIFICATION FEATURES

##### Construction

Durable post painted steel housing with white gloss finish and frosted PMMA lenses

##### Mounting

Can be suspended from the ceiling by either AYC or EYE chain, aircraft cable or it can be mounted on the ceiling directly

##### Applications

Ideal solution for warehouses, retail, aisleway, etc.

##### Certification

DLC and UL listed. All components have UL certification. Protection Grade IP20

##### Warranty

7 years on Parts / 5 years on Labor



##### Input Voltage

120V-277V

##### Rated Wattage

81/101/161/201/281/321/481W

##### Available CCT

4000/5000K

##### Efficacy

130 LWP

##### CRI

>80

##### Color Consistency

5-step MacAdam Ellipse

##### Ambient Temp

-20°C to 50°C

##### Power Factor

>0.92

##### Dimming

0-10V

##### Surge Protection

2KV

##### Lifetimes

200,000 hours



#### ORDERING OPTIONS

Example: T1-IHBLD2/B/101-40-EM- AC-OS

SERIES	FORM FACTOR	WATTAGE	COLOR TEMP	EMERGENCY BACKUP	ACCESSORIES	CONTROLS
T1-IHBLD	2	/B/ 101	-40	-EM	-AC	-OS
	2 2' 4 4'	81 81W 101 101W 161 161W 201 201W 281 281W 321 321W 481 481W	40 4000K 50 5000K	EM Emergency backup	WG Wire guard AC Aircraft cables PK Pendant mounting kit Hooks & chains	OS Sensors DL Daylight harvesting sensor

TOP T1ER LIGHTING



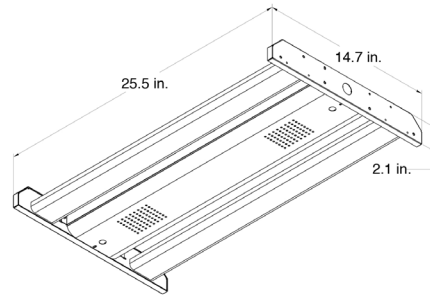
# IGNITE

## High Bay Series

### T1-IHBLED2/B/81



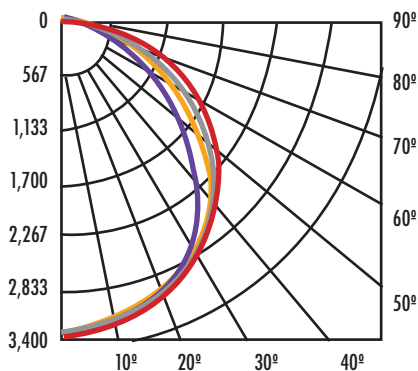
CATALOG NUMBER	RATED WATTAGE	EFFICACIES	DELIVERED LUMENS
T1-IHBLED2/B/81-40	81W	134	10813
T1-IHBLED2/B/81-50	81W	134	10846



#### ZONAL LUMENS SUMMARY

#### LUMENS PER ZONE

Zone	Lumens	% Lamp	% Luminaire	Zone	Lumens	% Total	Zone	Lumen	% Total
0-30	2,603.3	25.7	25.7	0-10	319.6	3.2	90-100	78.3	0.8
0-40	4,237.7	41.9	41.8	10-20	912.2	9.0	100-110	103.2	1
0-60	7,430.4	73.4	73.3	20-30	1,371.6	13.5	110-120	79.4	0.8
60-90	2,199.3	21.7	21.7	30-40	1,634.3	16.1	120-130	75.4	0.7
70-100	1,089.0	10.8	10.7	40-50	1,677.2	16.6	130-140	67.8	0.7
90-120	260.9	2.6	2.6	50-60	1,515.6	15.0	140-150	51.0	0.5
0-90	9,629.7	95.1	95.0	60-70	1,188.6	11.7	150-160	30.0	0.3
90-180	501.5	5	5	70-80	739.9	7.3	160-170	13.4	0.1
0-180	10,131.2	100.1	100	80-90	270.8	2.7	170-180	3.0	0



#### FLOOD SUMMARY

	Efficiency %	Lumens	Horiz. Spread	Vert. Spread
Field (10%)	93.7	9,480.1	171.3	156.5
Beam (50%)	66.5	6,727.7	115.4	105.6
Total	100.1	10,131.2		

■ 0°H    
 ■ 90°H    
 ■ 105°H    
 ■ Max Cd: 3,394.4



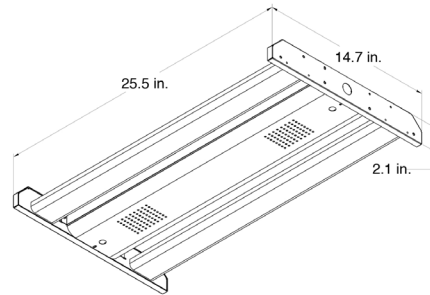
# IGNITE

## High Bay Series

### T1-IHBLED2/B/101



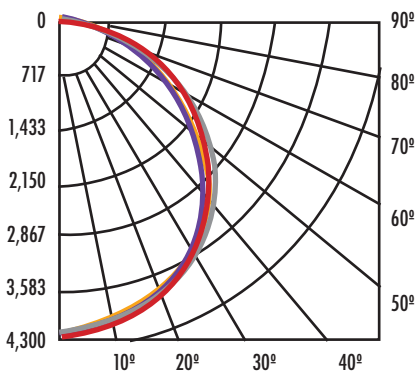
CATALOG NUMBER	RATED WATTAGE	EFFICACIES	DELIVERED LUMENS
T1-IHBLED2/B/101-40	101W	130	13140
T1-IHBLED2/B/101-50	101W	131	13221



#### ZONAL LUMENS SUMMARY

#### LUMENS PER ZONE

Zone	Lumens	% Lamp	% Luminaire	Zone	Lumens	% Total	Zone	Lumen	% Total
0-30	3,240.3	25.9	25.8	0-10	399.1	3.2	90-100	90.8	0.7
0-40	5,261.0	42.0	42.0	10-20	1,137.2	9.1	100-110	120.2	1
0-60	9,194.2	73.4	73.3	20-30	1,704.0	13.6	110-120	87.9	0.7
60-90	2,783.6	22.2	22.2	30-40	2,020.7	16.1	120-130	82.0	0.7
70-100	1,387.2	11.1	11.1	40-50	2,064.5	16.5	130-140	73.8	0.6
90-120	298.8	2.4	2.4	50-60	1,868.7	14.9	140-150	55.1	0.4
0-90	11,977.8	95.6	95.5	60-70	1,478.1	11.9	150-160	31.8	0.3
90-180	559.4	4.5	4.5	70-80	948.1	7.6	160-170	14.6	0.1
0-180	12,537.2	100.0	100	80-90	348.4	2.8	170-180	3.3	0



#### FLOOD SUMMARY

	Efficiency %	Lumens	Horiz. Spread	Vert. Spread
Field (10%)	94.1	11,794.5	272.0	157.2
Beam (50%)	65.9	8,257.4	114.1	105.2
Total	100	12,536.4		

■ 0°H   
 ■ 90°H   
 ■ 75°H   
 ■ Max Cd: 4,229.4



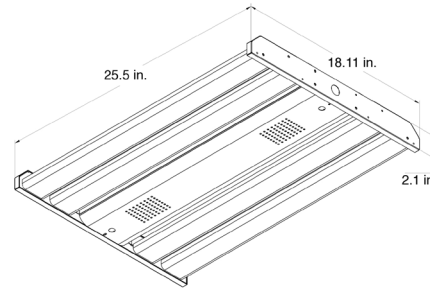
# IGNITE

## High Bay Series

### T1-IHBLED2/B/161



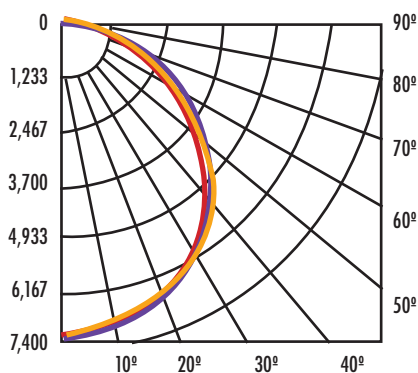
CATALOG NUMBER	RATED WATTAGE	EFFICACIES	DELIVERED LUMENS
T1-IHBLED2/B/161-40	161W	133	21461
T1-IHBLED2/B/161-50	161W	135	21671



#### ZONAL LUMENS SUMMARY

#### LUMENS PER ZONE

Zone	Lumens	% Lamp	% Luminaire	Zone	Lumens	% Total
0-30	5,529.7	26.7	26.7	0-10	683.9	3.3
0-40	9,014.5	43.5	43.5	10-20	1,931.1	9.3
0-60	15,918.4	76.8	76.8	20-30	2,914.7	14.1
60-90	4,818.5	23.2	23.2	30-40	3,484.6	16.8
0-90	20,736.9	100	100	40-50	3,604.6	17.4
				50-60	3,299.4	15.9
				60-70	2,582.4	12.5
				70-80	1,604.9	7.7
				80-90	631.2	3.0



#### FLOOD SUMMARY

	Efficiency %	Lumens	Horiz. Spread	Vert. Spread
Field (10%)	98.4	20,403.5	159.1	170.7
Beam (50%)	69.5	14,411.2	106.2	114.1
Total	100	20,730.3		

■ 0°H    
 ■ 45°H    
 ■ 90°H



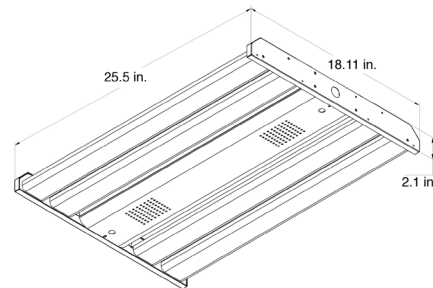
# IGNITE

## High Bay Series

### T1-IHBLD2/B/201



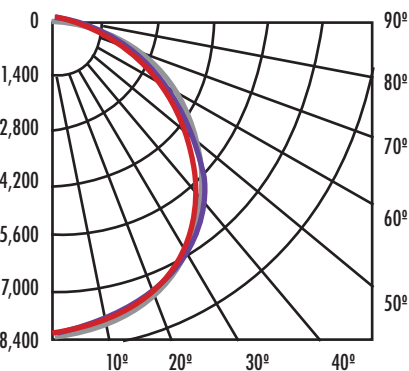
CATALOG NUMBER	RATED WATTAGE	EFFICACIES	DELIVERED LUMENS
T1-IHBLD2/B/201-40	201W	130	26170
T1-IHBLD2/B/201-50	201W	131	26311



#### ZONAL LUMENS SUMMARY

#### LUMENS PER ZONE

Zone	Lumens	% Lamp	% Luminaire	Zone	Lumens	% Total	Zone	Lumens	% Total
0-30	6,388.0	26.2	26.2	0-10	785.2	3.2	90-100	78.6	0.3
0-40	10,384.7	42.6	42.6	10-20	2,239.8	9.2	100-110	139.5	0.6
0-60	18,173.3	74.5	74.5	20-30	3,363.1	13.8	110-120	159.5	0.7
60-90	5,314.4	21.8	21.8	30-40	3,996.7	16.4	120-130	167.6	0.7
70-100	2,469.6	10.1	10.1	40-50	4,089.1	16.8	130-140	153.7	0.6
90-120	377.5	1.5	1.5	50-60	3,699.5	15.2	140-150	107.2	0.4
0-90	23,487.7	96.3	96.3	60-70	2,923.4	12.0	150-160	65.6	0.3
90-180	912.7	3.7	3.7	70-80	1,796.6	7.4	160-170	132.9	0.1
0-180	24,400.4	100	100	80-90	594.5	2.4	170-180	8.1	0



#### FLOOD SUMMARY

	Efficiency %	Lumens	Horiz. Spread	Vert. Spread
Field (10%)	94.8	23,117.3	167.5	158.3
Beam (50%)	67.2	16,383.5	114.5	105.9
Total	100	24,399.3		

■ 0°H    
 ■ Max Cd: 40°H    
 ■ 90°H



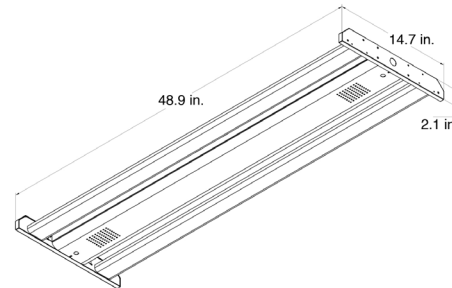
# IGNITE

## High Bay Series



### T1-IHBLED4/B/201

CATALOG NUMBER	RATED WATTAGE	EFFICACIES	DELIVERED LUMENS
T1-IHBLED4/B/201-40	201W	130	27296
T1-IHBLED4/B/201-50	201W	131	27376

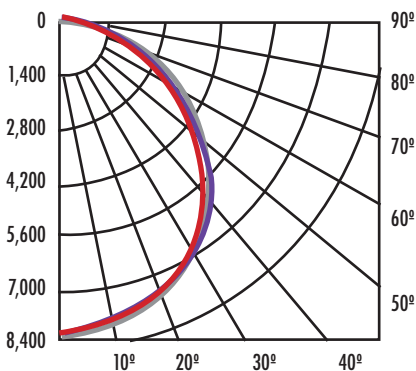


#### ZONAL LUMENS SUMMARY

Zone	Lumens	% Lamp	% Luminaire
0-30	6,472.7	25.5	25.5
0-40	10,604.3	41.8	41.8
0-60	18,801.1	74.0	74.0
60-90	5,697.7	22.4	22.4
70-100	2,780.3	11.0	10.9
90-120	490.7	1.9	1.9
0-90	24,498.8	96.5	96.5
90-180	899.4	3.5	3.5
0-180	25,398.2	100	100

#### LUMENS PER ZONE

Zone	Lumens	% Total	Zone	Lumens	% Total
0-10	787.4	3.1	90-100	171.7	0.7
10-20	2,258.4	8.9	100-110	184.8	0.7
20-30	3,426.9	13.5	110-120	134.2	0.5
30-40	4,131.6	16.3	120-130	130.9	0.5
40-50	4,287.5	16.9	130-140	108.4	0.4
50-60	3,989.4	15.4	140-150	83.1	0.3
60-70	3,089.0	12.2	150-160	53.7	0.2
70-80	1,950.6	7.7	160-170	25.8	0.1
80-90	658.1	2.6	170-180	6.8	0



#### FLOOD SUMMARY

	Efficiency %	Lumens	Horiz. Spread	Vert. Spread
Field (10%)	95.1	24,154.0	167.1	161.8
Beam (50%)	69.2	17,578.4	110.7	115.6
Total	100	25,397.0		

■ 0°H    
 ■ Max Cd: 40°H    
 ■ 90°H



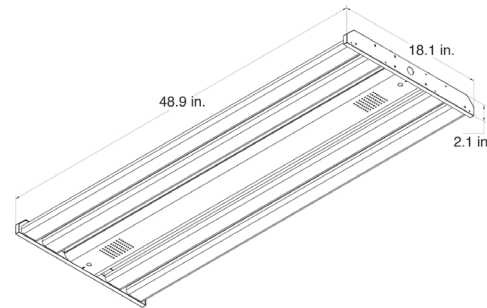
# IGNITE

## High Bay Series



### T1-IHBLED4/B/281

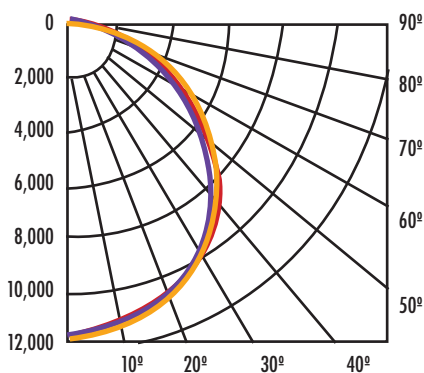
CATALOG NUMBER	RATED WATTAGE	EFFICACIES	DELIVERED LUMENS
T1-IHBLED4/B/281-40	281W	136	38693
T1-IHBLED4/B/281-50	281W	136	38834



#### ZONAL LUMENS SUMMARY

#### LUMENS PER ZONE

Zone	Lumens	% Lamp	% Luminaire	Zone	Lumens	% Total	Zone	Lumens	% Total
0-30	9,316.5	25.7	25.5	0-10	1,131.7	3.1	90-100	157.1	0.4
0-40	15,283.5	42.1	41.8	10-20	3,248.1	8.9	100-110	211.7	0.6
0-60	27,149.5	74.8	74.0	20-30	4,936.6	13.6	110-120	227.5	0.6
60-90	7,770.6	21.4	22.4	30-40	5,967.1	16.4	120-130	241.8	0.7
70-100	3,521.3	9.7	10.9	40-50	6,208.9	17.1	130-140	219.4	0.6
90-120	596.3	1.6	1.9	50-60	5,657.1	15.6	140-150	154.2	0.4
0-90	34,920.1	96.3	96.5	60-70	4,406.4	12.1	150-160	98.8	0.3
90-180	1,372.0	3.8	3.5	70-80	2,619.4	7.2	160-170	48.5	0.1
0-180	36,292.0	100	100	80-90	744.8	2.1	170-180	12.9	0



#### FLOOD SUMMARY

	Efficiency %	Lumens	Horiz. Spread	Vert. Spread
Field (10%)	94.9	34,419.7	164.4	159.0
Beam (50%)	70.3	25,509.5	112.7	114.5
Total	100	36,288.9		

■ 0°H     
 ■ 45°H     
 ■ 90°H



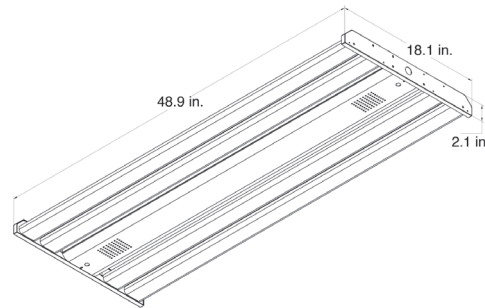
# IGNITE

## High Bay Series



### T1-IHBLED4/B/321

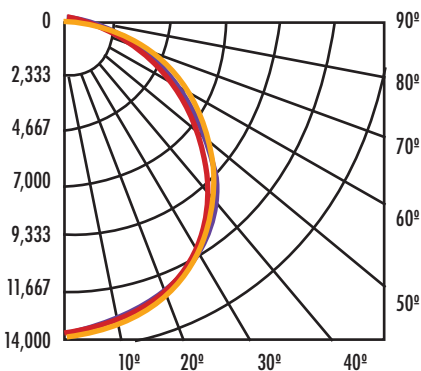
CATALOG NUMBER	RATED WATTAGE	EFFICACIES	DELIVERED LUMENS
T1-IHBLED4/B/321-40	321W	134	43816
T1-IHBLED4/B/321-50	321W	132	44073



#### ZONAL LUMENS SUMMARY

#### LUMENS PER ZONE

Zone	Lumens	% Lamp	% Luminaire	Zone	Lumens	% Total	Zone	Lumens	% Total
0-30	10,504.8	25.9	25.9	0-10	1,276.6	3.2	90-100	203.8	0.4
0-40	17,209.3	42.5	42.5	10-20	3,663.9	0.0	100-110	232.5	0.6
0-60	30,466.5	75.2	75.2	20-30	5,564.3	13.7	110-120	250.6	0.6
60-90	8,495.9	21.0	21.0	30-40	6,704.4	16.5	120-130	275.2	0.7
70-100	3,801.9	9.4	9.4	40-50	6,948.5	17.1	130-140	247.7	0.6
90-120	686.9	1.7	1.7	50-60	6,308.7	15.6	140-150	171.9	0.4
0-90	38,962.9	96.2	96.2	60-70	4,897.8	12.1	150-160	109.6	0.3
90-180	1,559.9	3.9	3.8	70-80	2,862.0	7.1	160-170	54.1	0.1
0-180	40,522.3	100.1	100	80-90	736.1	1.8	170-180	14.5	0



#### FLOOD SUMMARY

	Efficiency %	Lumens	Horiz. Spread	Vert. Spread
Field (10%)	94.9	38,428.8	163.1	158.2
Beam (50%)	70.1	28,374.2	111.8	113.8
Total	100	40,518.6		

■ 0°H     
 ■ 45°H     
 ■ 90°H





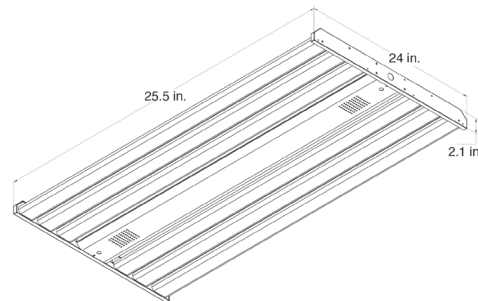
# IGNITE

## High Bay Series



### T1-IHBLed4/B/481

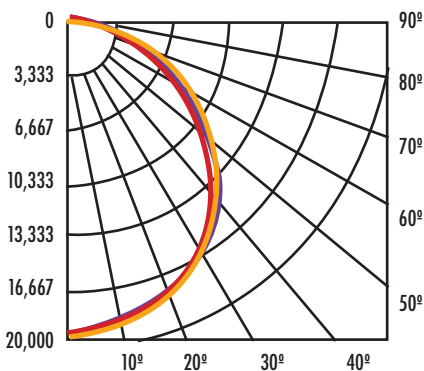
CATALOG NUMBER	RATED WATTAGE	EFFICACIES	DELIVERED LUMENS
T1-IHBLed4/B/481-40	481W	130	65368
T1-IHBLed4/B/481-50	481W	131	65752



#### ZONAL LUMENS SUMMARY

#### LUMENS PER ZONE

Zone	Lumens	% Lamp	% Luminaire	Zone	Lumens	% Total	Zone	Lumens	% Total
0-30	15,408.2	25.3	25.9	0-10	1,864.9	3.1	90-100	168.2	0.3
0-40	25,359.3	41.6	41.6	10-20	5,362.0	8.8	100-110	260.7	0.4
0-60	45,441.8	74.5	74.5	20-30	8,181.3	13.4	110-120	359.2	0.6
60-90	13,405.1	22	22	30-40	9,951.1	16.3	120-130	409.0	0.7
70-100	5,992.1	9.8	9.8	40-50	10,448.6	17.1	130-140	372.4	0.6
90-120	788.1	13	1.3	50-60	9,633.9	15.8	140-150	268.4	0.4
0-90	58,846.9	96.2	96.2	60-70	7,581.2	12.4	150-160	174.5	0.3
90-180	2,123.5	3.5	3.5	70-80	4,520.3	7.4	160-170	87.2	0.1
0-180	60,970.4	100.1	100	80-90	1,303.5	2.1	170-180	23.9	0



#### FLOOD SUMMARY

	Efficiency %	Lumens	Horiz. Spread	Vert. Spread
Field (10%)	95.2	58,020.5	164	161.1
Beam (50%)	71.81	43,756.0	115.7	116.1
Total	100	60,963.9		

■ 0°H    
 ■ 45°H    
 ■ 90°H